

DUOLLED

LED HighBay Light
UFO03 70W-240W

190LM/W

SPECIFICATIONS



STRONG
LUMEN · 强 流 明
SL-HBR290-110CO-001
AC100-277V 0.47A
PF=0.95 IP65
190LM/W

5 Years Warranty



CE RoHS

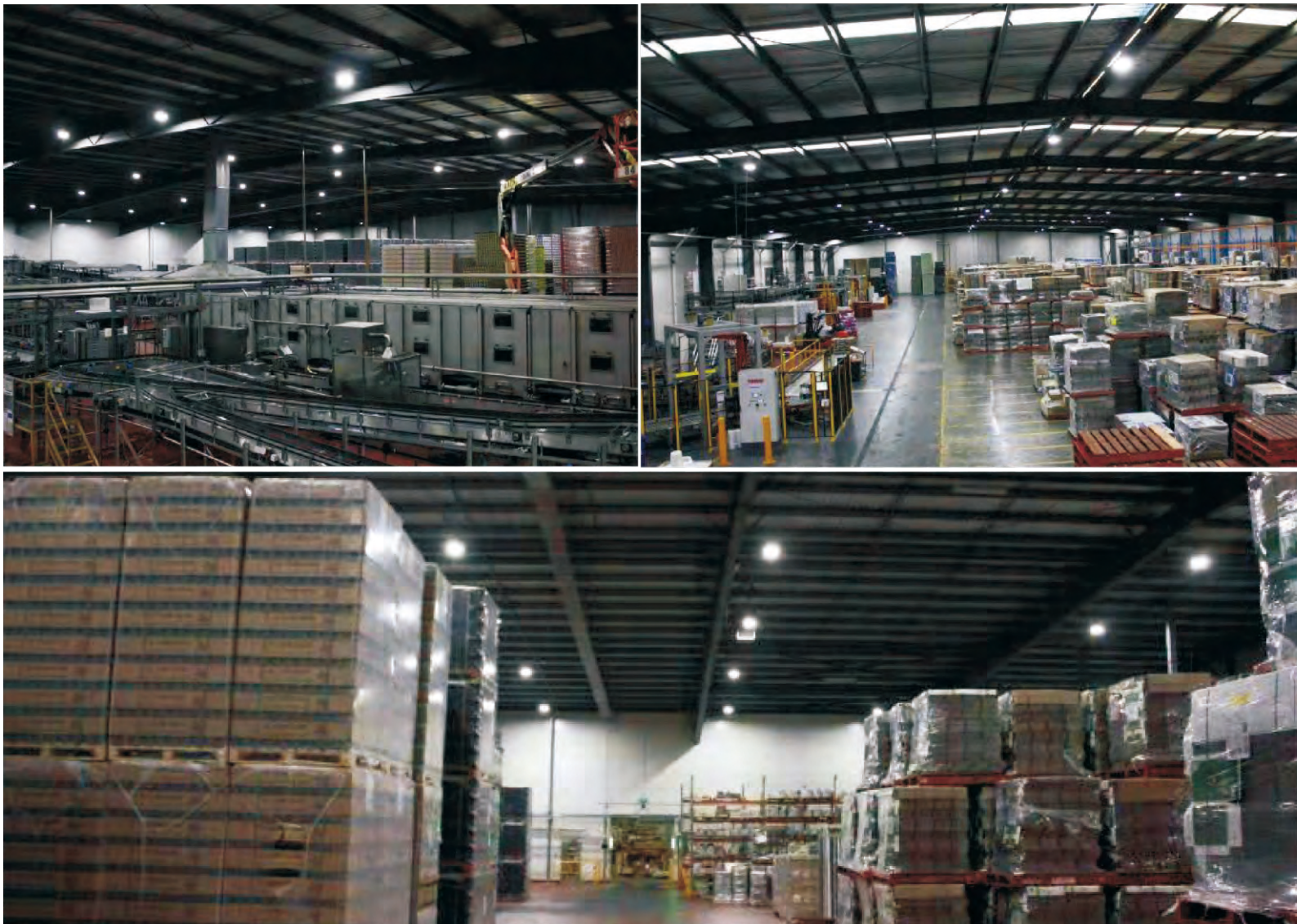


Specification

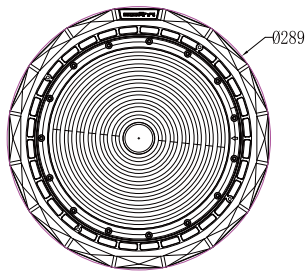
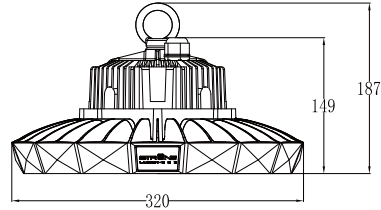
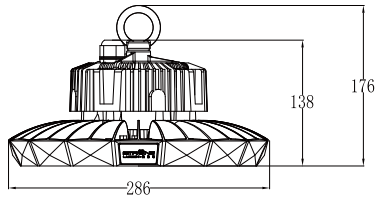
Luminous Efficiency: 190lm/w \pm 5%
Input Voltage: AC100-277V 50/60Hz
Power: 70W 90W 110W 150W 200W 240W
Color temperature: 4000K 5000K 5700K
Color Rendering Index: Ra>80
Lifespan: >50,000hours
On-off times:>100,000 Times

Power Factor: >0.95
Beam Angle: 60° 90° 120°
Working Temperature: -30~50°C
Storage Temp: -40~80°C
Environment Humidity: < 95%LED
Type: BRIDGELUX SMD2835
Driver : Meanwell

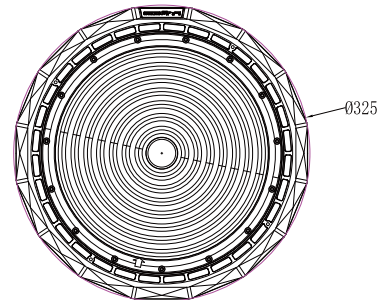
Case



Specification



60-120W



150-240W

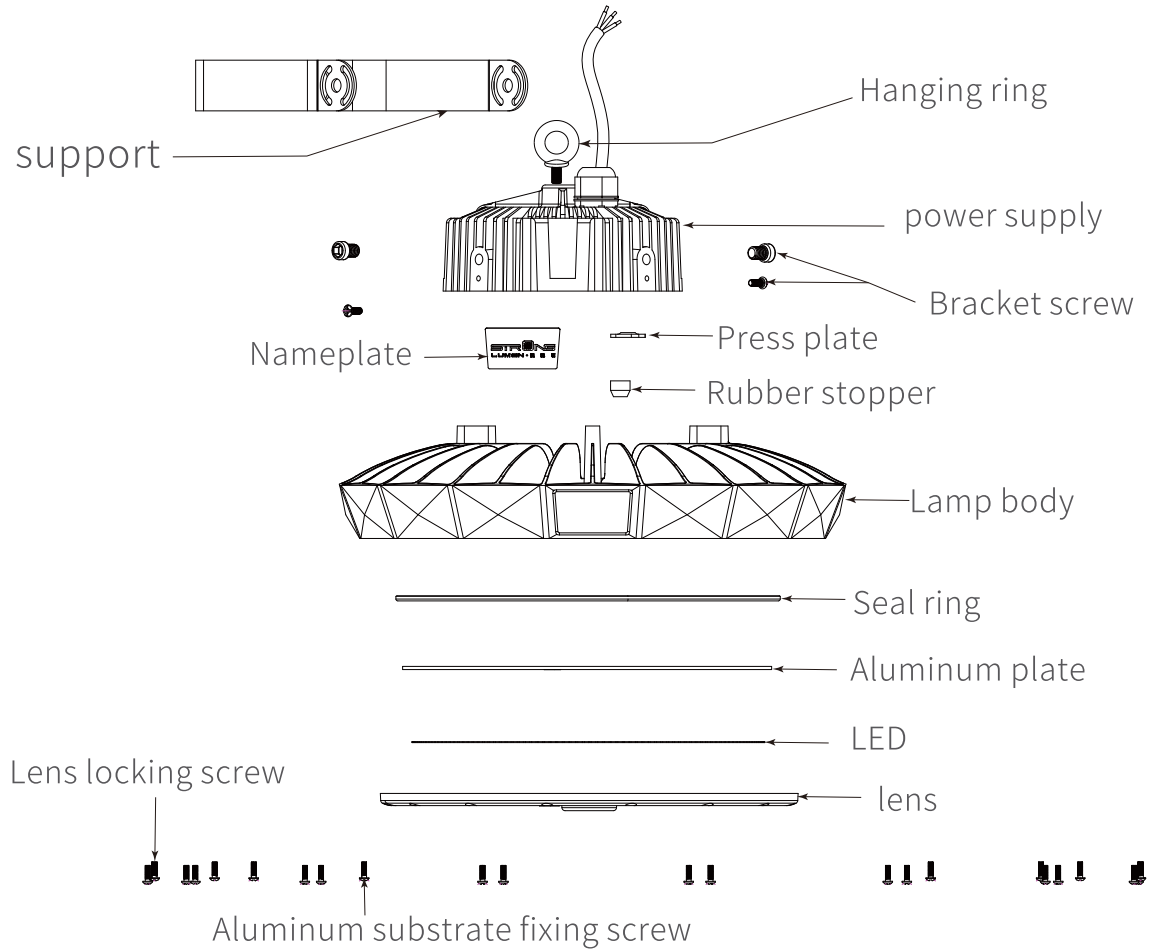
StructurePerformance

Dimensions L x h x W (mm)	φ 289*138mm/ φ 325*149mm
Housing: material_color	Aluminum, bracket by Carbon Steel (RAL 9017)
Cover: material color	Transparent PC
Cable length mm	500mm
Protection class (IP)	IP65
IK rate	IK08

Product Model

Model No.	Power	CRI	EFF(lm/W)	Lumen(lm)	Size(mm)	Carton Size(mm)	G.W/1PCS
SL-UFOA00-70Y-XXXX-C	70W	Ra70	190	13300	φ289xH176	L320xW320xH185	3.2KG
		Ra80	175	12250			
SL-UFOA00-90Y-XXXX-C	90W	Ra70	190	17100	φ289xH176	L320xW320xH185	3.2KG
		Ra80	175	15750			
SL-UFOA00-110Y-XXXX-C	110W	Ra70	190	20900	φ289xH176	L320xW320xH185	3.2KG
		Ra80	175	19250			
SL-UFOA00-150Y-XXXX-C	150W	Ra70	190	28500	φ325xH187	L380xW380xH185	4.5KG
		Ra80	175	26250			
SL-UFOA00-200Y-XXXX-C	200W	Ra70	190	38000	φ325xH187	L380xW380xH185	4.5KG
		Ra80	175	35000			
SL-UFOA00-240Y-XXXX-C	240W	Ra70	180	43200	φ325xH187	L380xW380xH185	4.5KG
		Ra80	170	40800			

Structure drawing



Environmental Applicability

Storage Temperature/Humidity	-40°C~60°C / 10%~98RH
Working Temperature/Humidity	-30°C~50°C / 20%~95RH
Ta Max.	ta:50°C
Corrosion Protection	<p>Metal parts shall have the corrosion prevention measures.</p> <ul style="list-style-type: none"> ■ spray powder protection □ Coating protection □ Stainless steel protection
UV Protection	<ul style="list-style-type: none"> □ Class I Ultraviolet aging for 24 hours □ Class II Ultraviolet aging for 72hours ■ Class III Ultraviolet aging for 168 hours